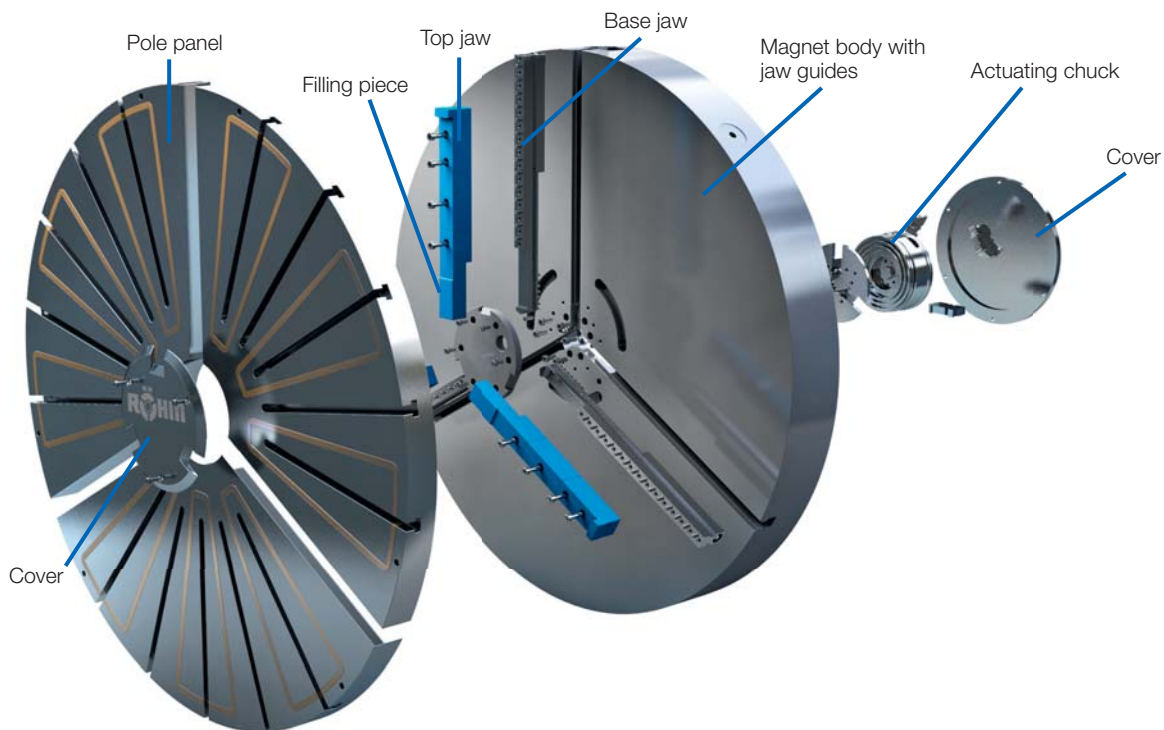




MZMF Hybrid chuck

MZMF Hybrid chuck



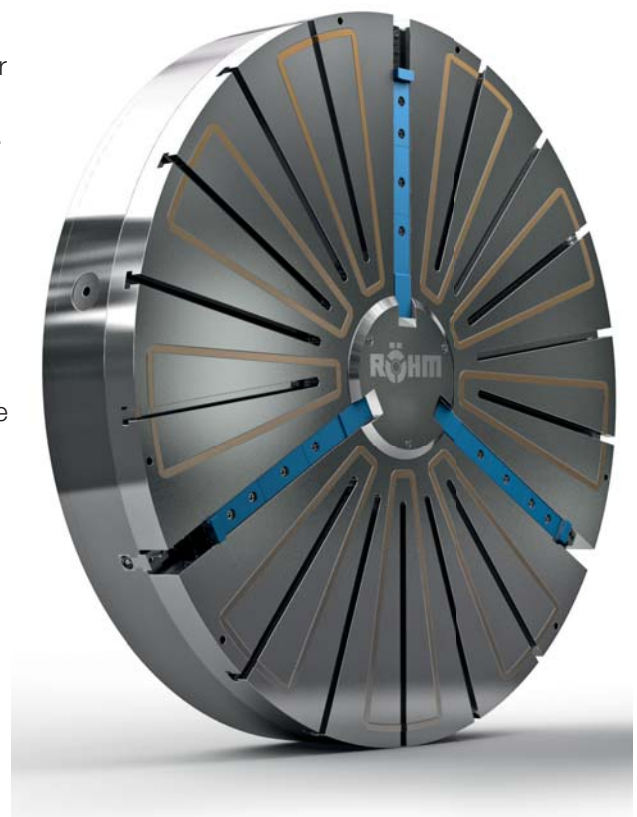
MZMF Hybrid chuck

Combined 2-jaw centering chuck with magnetic clamping plate

A precisely centered and deformation-free setup is of utmost importance, especially for easily deformable workpieces which require turning machining from all three sides within one working operation. Thanks to the combination of magnetic clamping force and deformation-free centering, workpieces, such as rings or other hard-to-grip parts having a wide range of sizes and contours, can be precisely clamped within seconds with the hybrid chuck MZMF.

Technische Merkmale:

- ⌚ Set-up times reduced by up to 50%
- ⌚ Machine downtimes reduced to a minimum
- ⌚ 3-side machining for turning and grinding parts
- ⌚ 16 individually adjustable adhesion stages
- ⌚ Uniform and deformation-free setup
- ⌚ Combined magnetic and centering chuck clamping are possible
- ⌚ High process reliability for rational series production
- ⌚ Fast amortization





Special solutions

Other special solutions

For special customer demands, RÖHM offers an individual range of special solutions, which goes far beyond the standard product range. From the smallest „Micro Technology“ clamping chuck for watches and jewelry machining to impressive chucks with a diameter of over 5.5 meters and weight of 25 tons for rail vehicles or the energy sector.

Other special solutions



Machining of large bearings and rotary unions
Chuck for turning machining

- ⊕ Constant clamping force at high speeds by means of centrifugal force compensation
- ⊕ Integrated quick jaw change system for minimum setup times



Machining of large bearings and rotary unions
Chuck for drilling machining

- ⊕ Centrally clamping wedge hook chuck
- ⊕ Quickly adjustable clamping jaws and stops for minimum set-up times



Clamping chucks for rail traffic

- ⊕ Clamping diameters of up to 1.3 meters with flexible set-up for individually changing workpiece sizes
- ⊕ Automated jaw adjustment for inner and outer machining



Independent chucks for power plants and steel mills

- ⊕ Clamping diameter of up to 5 meters
- ⊕ Safe clamping using power spindles allows up to 50 tons of clamping force per jaw

For further informations of our special solutions in any areas visit our homepage:

<http://www.roehm.biz/downloads/>